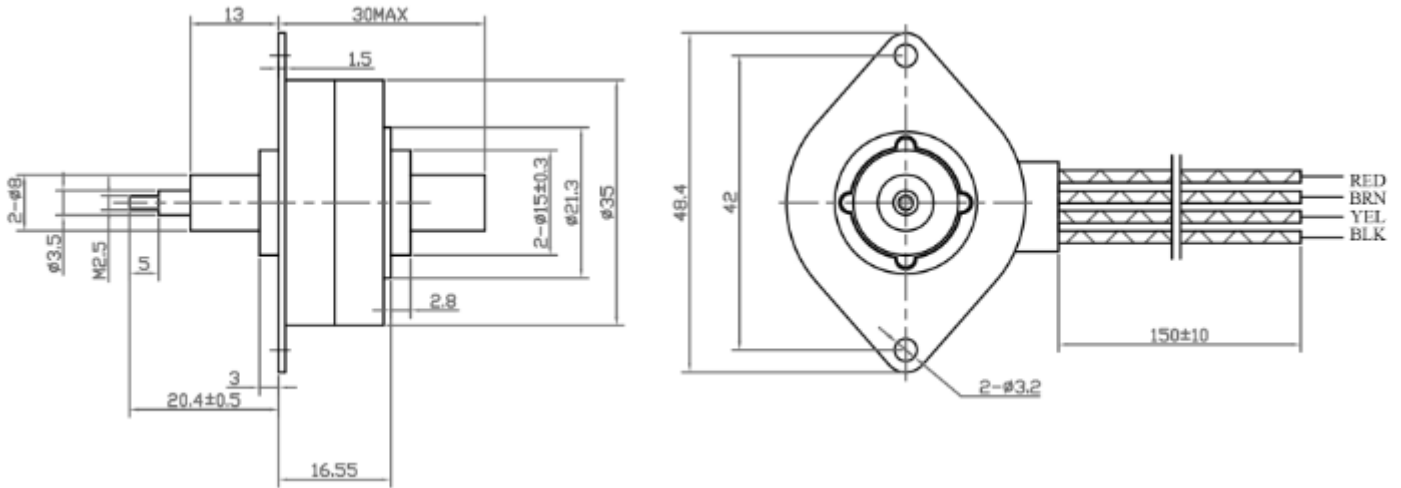
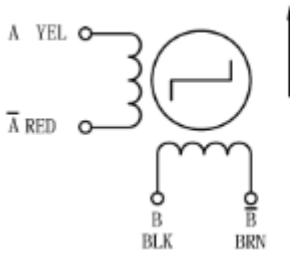


Can Stack Captive Linear Stepper Motor



Dimensions unit=mm



Pin No.	WIRE COLOR	STEP			
		1	2	3	4
1	BLK	-	-		
2	BRN			-	-
3	YEL	-			-
4	RED		-	-	

35YCZ16B05B-A14-02

Electrical Data		Condition
1	Rated Voltage	5VDC
2	Resistance per Phase, $\pm 10\%$	7.7 Ω @20°C
3	Inductance per Phase, $\pm 20\%$	8.1 mH @1kz
4	Rated Current per Phase	0.5 A
5	Linear Travel Step	0.0167 mm/Step
6	Max Force	80N @100 pps /Chopper 24VDC
7	Maximum travel	14 mm
8	Step Angle	7.5°
9	Ambient Temperature Range	-40 to +125°C
10	Insulation Resistance	100 M Ω
11	Protection Rate	IP50
12	Weight	84 g
13	Leadwire	UL1061 28#