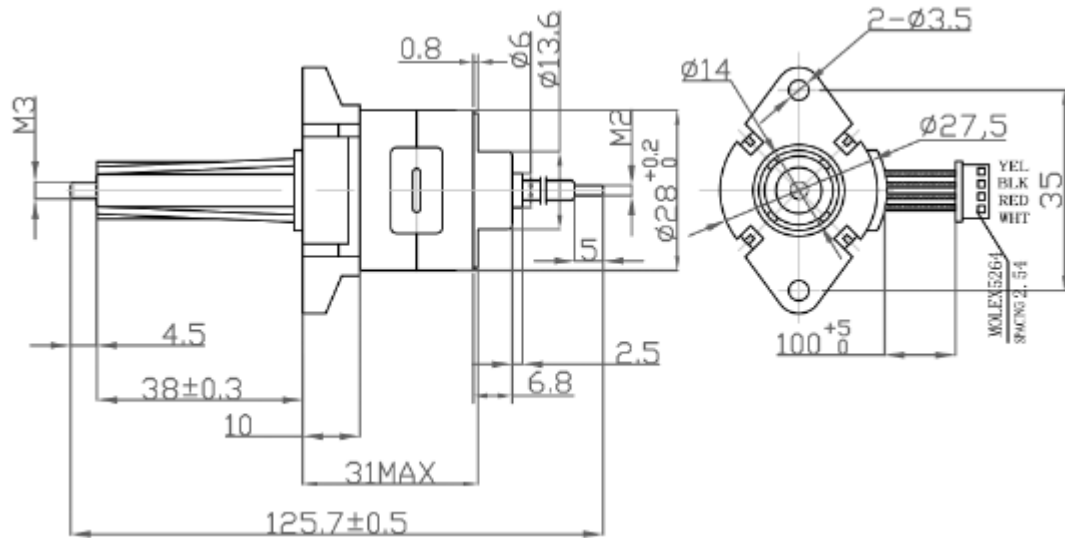
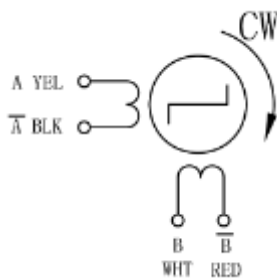


## Can Stack Captive Linear Stepper Motor



Dimensions unit=mm



Pin No.	WIRE COLOR	STEP			
		1	2	3	4
1	YEL	-	-	-	-
2	BLK	-	-	-	-
3	RED	-	-	-	-
4	WHT	-	-	-	-

### 28YCZ42A05B-A37-04-03

Electrical Data		Condition
1	Rated Voltage	5VDC
2	Resistance per Phase, $\pm 10\%$	14.7 $\Omega$
3	Inductance per Phase, $\pm 20\%$	5.2 mH
4	Rated Current per Phase	0.34 A
5	Linear Travel Step	0.042 mm/Step
6	Max Force	55N
7	Maximum travel	37 mm
8	Step Angle	15°
9	Ambient Temperature Range	-40 to +125°C
10	Insulation Resistance	100 M $\Omega$
11	Protection Rate	IP34
12	Weight	80 g
13	Leadwire	UL1061 28#