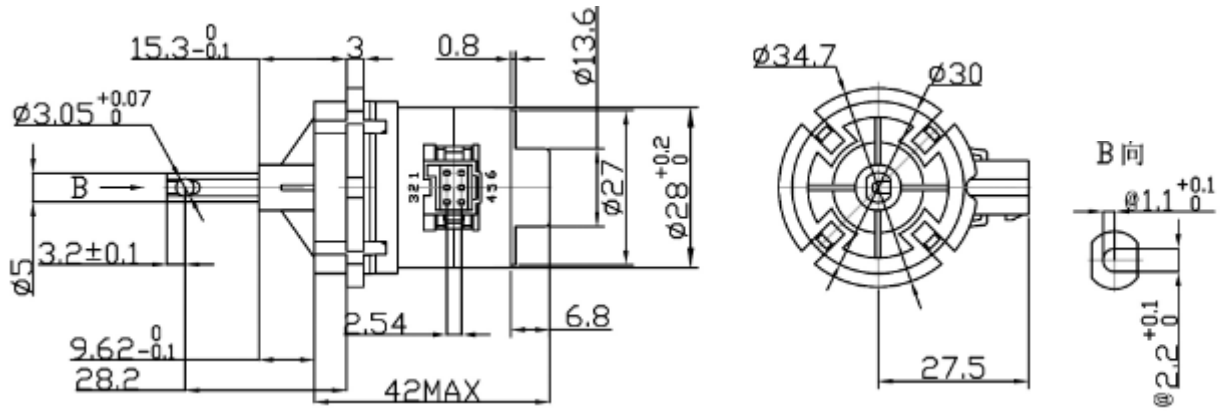
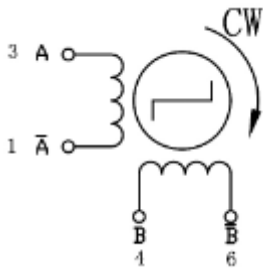


Can Stack Captive Linear Stepper Motor



Dimensions unit=mm



STEP	A	B	\bar{A}	\bar{B}
1		-	-	
2	空			
3	-			-
4	-	-		
5	空			
6			-	-

28YCZ42A24B-A13-07

Electrical Data		Condition
1	Rated Voltage	24VDC
2	Resistance per Phase, $\pm 10\%$	150 Ω @20°C
3	Inductance per Phase, $\pm 20\%$	85 mH @1kHz
4	Rated Current per Phase	0.16 A
5	Linear Travel Step	0.042 mm/Step
6	Max Force	65N @100 pps /Chopper 24VDC
7	Maximum travel	12 mm
8	Step Angle	15°
9	Ambient Temperature Range	-40 to +125°C
10	Insulation Resistance	100 M Ω
11	Protection Rate	IP40
12	Weight	77 g
13	Leadwire	Molex-Grid 51110-0660