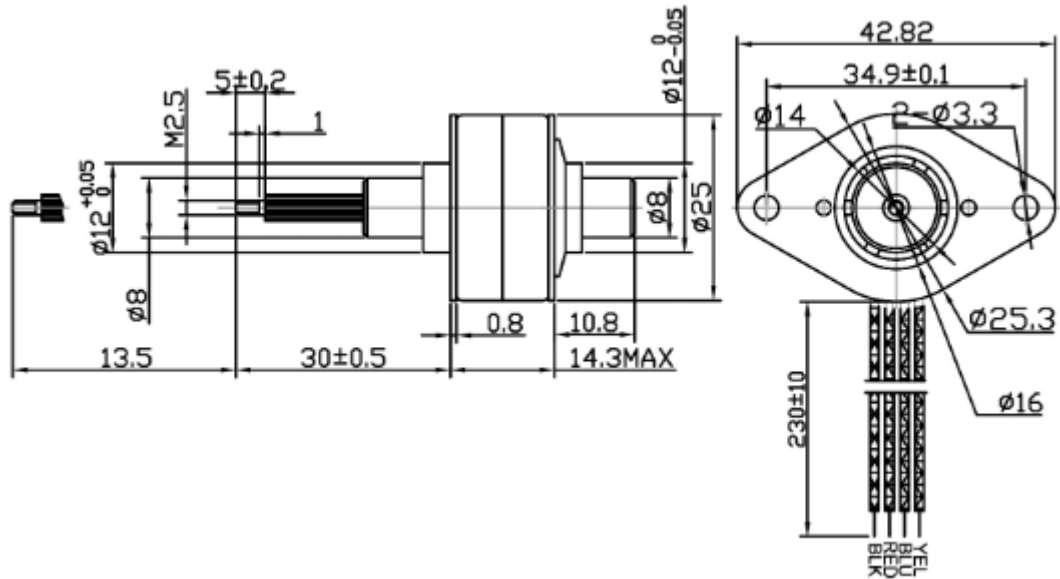
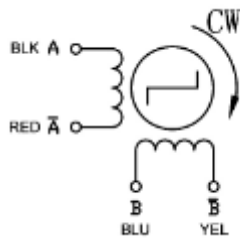


## Can Stack Captive Linear Stepper Motor



Dimensions unit=mm



Pin No.	WIRE COLOR	STEP			
		1	2	3	4
1	BLK	-	-	-	-
2	RED	-	-	-	-
3	BLU	-	-	-	-
4	YEL	-	-	-	-
5					
6					

### 25YCZ25B04B-C13-016

Electrical Data	Condition
1 Rated Voltage	3.5VDC
2 Resistance per Phase, $\pm 10\%$	7 $\Omega$
3 Inductance per Phase, $\pm 20\%$	4.1 mH
4 Rated Current per Phase	0.5 A
5 Linear Travel Step	0.0254 mm/Step
6 Max Force	40N
7 Maximum travel	13.5 mm
8 Step Angle	7.5°
9 Ambient Temperature Range	-40 to +125°C
10 Insulation Resistance	100 M $\Omega$
11 Protection Rate	IP34
12 Weight	33 g
13 Leadwire	UL1061 28#