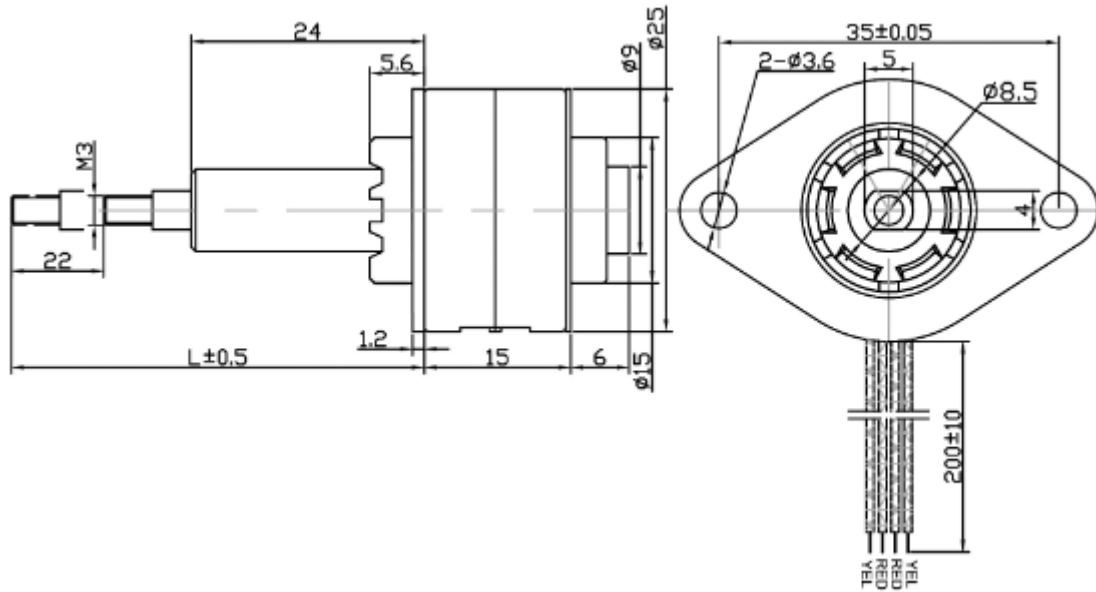
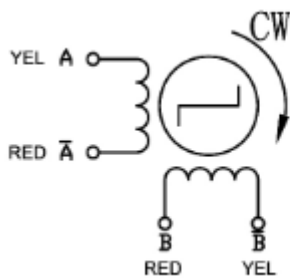


Can Stack Captive Linear Stepper Motor



Dimensions unit=mm



Pin No.	WIRE COLOR	STEP			
		1	2	3	4
	YEL	-	-	-	-
	RED	-	-	-	-
	RED	-	-	-	-
	YEL	-	-	-	-

25YCZ42A12B-A022-01

Electrical Data		Condition
1	Rated Voltage	12 VDC
2	Resistance per Phase, $\pm 10\%$	53 Ω
3	Inductance per Phase, $\pm 20\%$	23.5 mH
4	Rated Current per Phase	0.23 A
5	Linear Travel Step	0.042 mm/Step
6	Max Force	35N
7	Maximum travel	22 mm
8	Step Angle	15°
9	Steps per Revolution	24
10	Ambient Temperature Range	-40 to +125°C
11	Maximum Coil Temperature	130°C
12	Insulation Resistance	100 M Ω
13	Protection Rate	IP34
14	Insulation Class	Class E
15	Weight	40 g
16	Leadwire	UL1061 28#